



- CE
- RoHS
- 5 YEAR WARRANTY
- 10KV
- IP65
- Outdoor use
- COMPRESSION TEST
- IES TM-21
- IES LM-79

60W/80W/100W/150W/200W/300W

# LED BALLOON LIGHT

camping; road works; large scale outdoor event; construction lighting

## ► Features

It's also a compact solution for your work area lighting. Ease of use translate to portability and quick deployment.

This light balloon features a compact and flexible design that quickly provides light where you need it. Thanks to its simple construction, set up of the light is quick and easy.

- ✓ Hihtlingt LED chips
- ✓ Optional remote controller
- ✓ UL listed power supply(IP 67)
- ✓ Aluminum alloy coat
- ✓ Energy efficient,low heat output
- ✓ Silent running
- ✓ Excellent heat dissipation
- ✓ 360°illumination
- ✓ Enhanced light penetration
- ✓ Easy Installation
- ✓ 50,000 hour lifespan
- ✓ plug and play
- ✓ With a variety of installation
- ✓ Lightweight slimline design
- ✓ Easy clip on bars
- ✓ Ip65 waterproof,Use in moist environment

## ► Product picture



MODEL: BB-HJD-XXXW-B1

## DATA SHEET(lamps)

Power	60W	80W	100W	150W	200W	300W
Model	BB-HJD-60W-B1	BB-HJD-80W-B1	BB-HJD-100W-B1	BB-HJD-150W-B1	BB-HJD-200W-B1	BB-HJD-300W-B1
Luminous Flux	9600lm	12800lm	16000lm	24000lm	32000lm	48000lm
Dimension(mm)	Ø500xH468					
Net weight	20.3kg					
Beam Angle	360°					
Materials	Aluminum alloy+Soft cloth					
Luminous Efficacy	160lm/w					
Operation Temp	-40 to +45°C					
CCT	2700K SW / 3000K WW / 4100K NW / 5000K DW / 5700K CW / 6500K SCW					
CRI	80+					
Life Span	50,000 hours at 25°C					
Voltage	100-277VAC/24V DC					
Driver	Built-in power supply					
Dimming	Optional					
Cover	Soft cloth					
Luminous Source	SMD LED					
IP Rating	IP 65					
PF	>0.95					
Installation	Tripod mounting/Pole mounting					
Warranty	3 Years					

## Tripod

Style	3M Tripod hand-operated	4.3M Tripod hand-operated
Height(min-max)	1600-3000mm	1700-4300mm
Weight(kg)	13.2	15.5

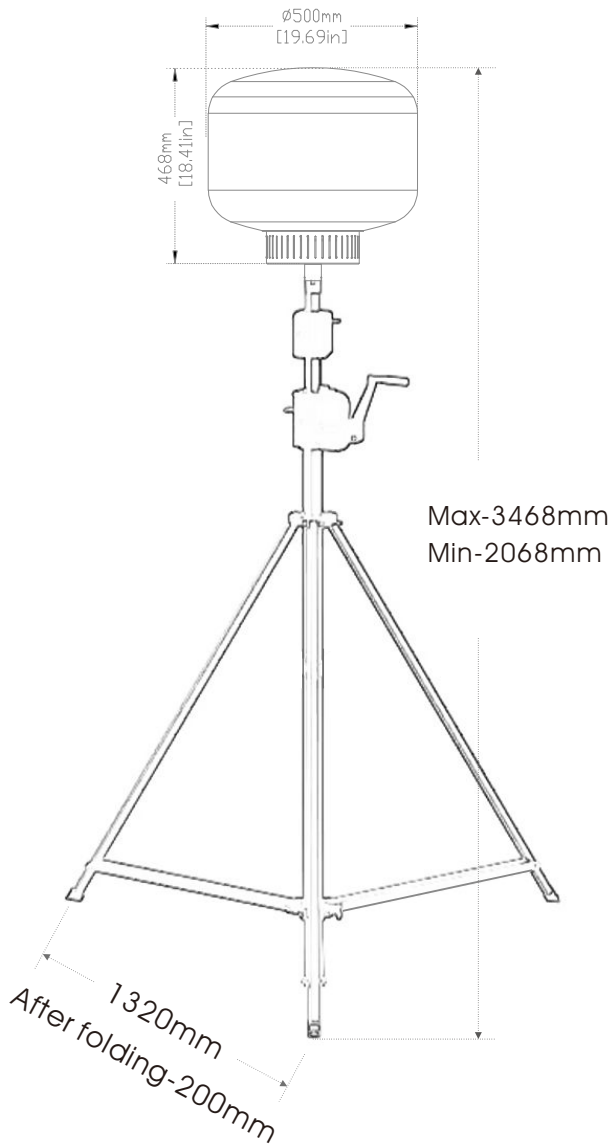
► Order information

Model:BB-HJD-XXXW-B1

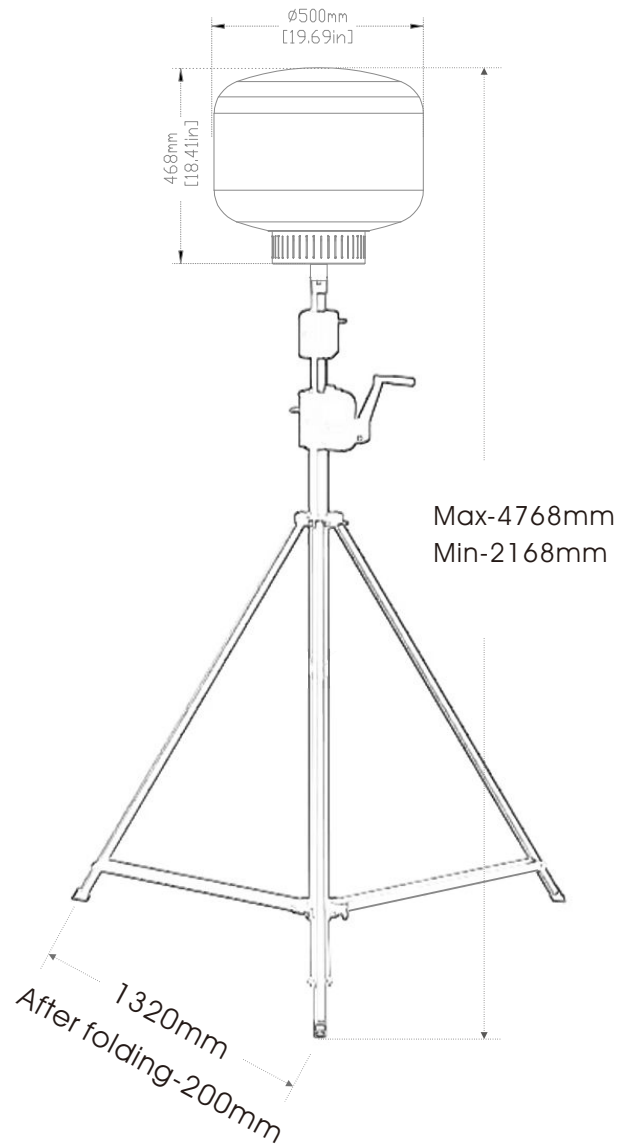
A	B	C	D	E	F	G	H
Rated power	Input voltage	Control mode	Dimming	CCT	LED CHIP	Tripod	Color
60W 80W 100W 150W 200W 300W	Blank- 100-277VAC Optional- 24VDC	Blank- Switch  Optional- Remove control	Blank-without  Optional- Dimmable	2700K SW / 3000K WW / 4100K NW / 5000K DW / 5700K CW / 6500K SCW	Blank- 3030 SMD	Blank-3m  Optional- 4.3m	Blank- Black

► Dimensional drawing

There is a slight error in manual measurement



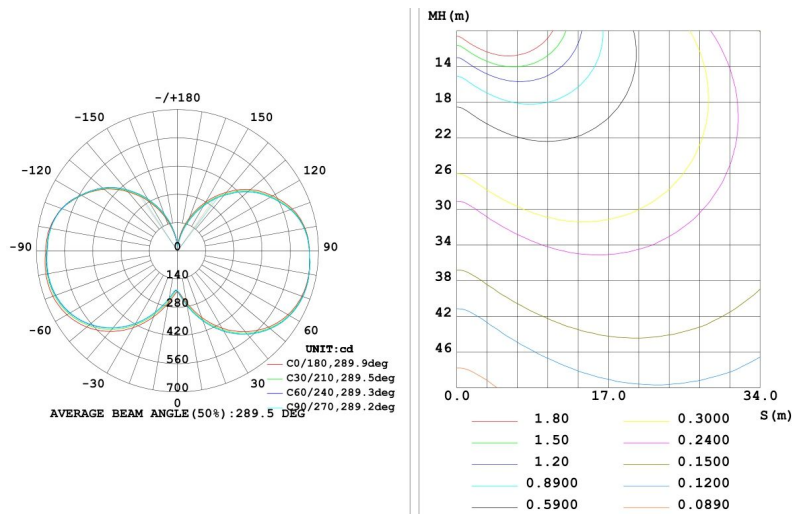
3m tripod



4.3m tripod



► Surface Of Intensity Distribution



► Application case

LED blloon light be widely applied in daily life. Such as Temporary work lighting, road maintenance, outdoor rescue, outdoor activities, picnic camping and more

- 1.Construction. 2.Camping 3.Filming 4.Sporting Events 5.Roadworks
- 6.Infrastructure 7.Photography 8.Renovation 9.Search/Rescue



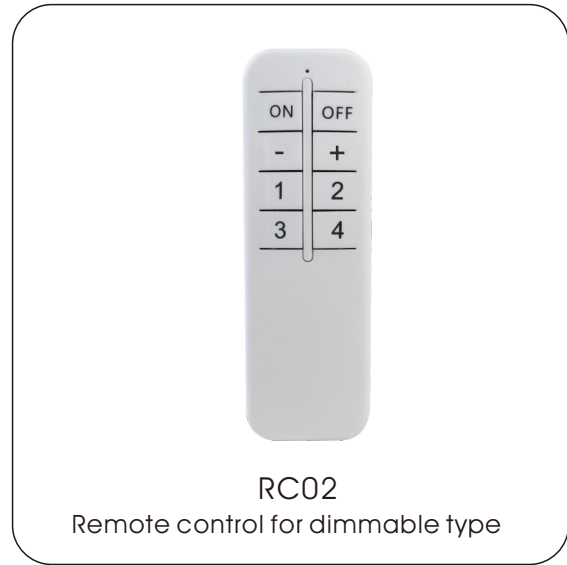
## ▶ Remote Control

\*The remote control is not provided by default,If you need, please contact sales.



RC01

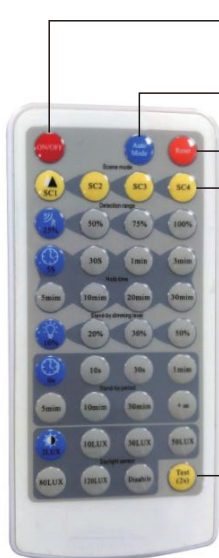
Remote control for microwave type



RC02

Remote control for dimmable type

### Remote control RC01



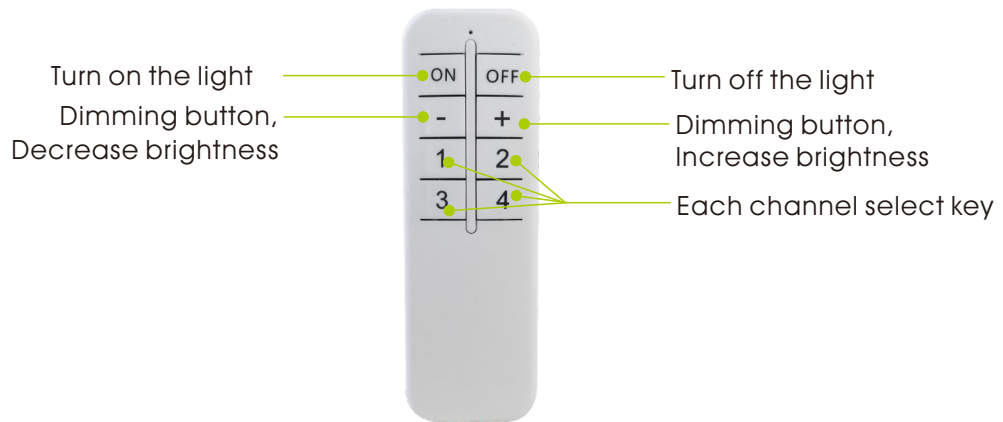
- **ON/OFF**  
\* Press the "ON/OFF" button, the light keeps permanently on or off.  
\* Press "Auto Mode" , "RESET" or "Scene mode" buttons to quit from this mode.
- **Auto Mode**  
\* Press "Auto Mode" button, the sensor starts to work and all settings remain the same before the light gets switched on/off.
- **Reset**  
\* Press "RESET" button, products with DIP switch will be controlled by DIP switches.
- **Scene Mode**

Scene Mode	Detection	Hold-time	Daylight threshold	Stand-by period	Stand-by dimming level
Sc1	100%	30s	2Lux	1min	10%
Sc2	100%	5min	10Lux	10min	10%
Sc3	100%	10min	50Lux	30min	10%
Sc4	100%	30min	Disable	+∞	10%

- **Test**  
\* The button "Test (2s)" is for testing purpose after commissioning. Pressing this button, the sensor goes to test mode(hold time is only 2s) automatically, stand-by period and daylight sensor are disabled.  
This mode can be ended by pressing "reset", "Auto mode" "scene mode" or "hold time".  
The sensor setting is changed accordingly.  
Brightness settings: Disable.  
Test mode can press any key to exit this mode.

 On/off control	There are 4 fixed scene modes program built-in the remote control to choose for different applications.
 Detection area	Press the button "detection range" to set detection range as 100% / 75% / 50% / 10%.
 Hold-time	Press the button "hold-time" to set hold-time as 5s / 30s / 1min / 3min / 5min / 10min / 20min / 30min .
 Daylight threshold	Press the button "daylight sensor" to set daylight threshold as 2Lux / 10Lux / 30Lux / 50Lux / 80Lux / 120Lux / disable.

Remote control RC02



Function:

- \* Wireless remote control, you can remotely control the light switch.
- \* Can control the lights of 4 groups of channels, each group is independent. Multiple lights can be set for each group.
- \* The remote control distance is 10-20m.
- \* Dimming function, you can increase and decrease the brightness of the lamp.
- \* Must be used with dimming driver.

Note:

- \* The work light without sensor and the work light with sensor can be equipped with RC02 remote control.
- \* Only work light with sensor can be equipped with RC01 remote control.

► Package

Item	Packaging	Carton Size(cm)	G.W
3m tripod	1pc/CTN	165*24*20	20kg
4.3m tripod	1pc/CTN	175*24*20	23kg