



LED Pizza Light

BRIGHTEN YOUR LIFE

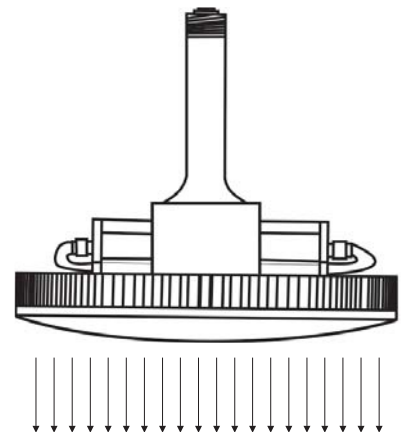
NEW LED TECHNOLOGY THAT ALLOWS THE
COEXISTENCE OF ENVIRONMENTAL
PROTECTION AND ENERGY SAVING

Benefits

1. MH/HPS/HID/MHL/CFL lamp retrofit
2. Screw Base Direct Install by bypass ballast
3. 100% Pure Aluminum Fins Heat Sink
4. Universal Base E26/E27/E39/E40
5. CE ROHS listed

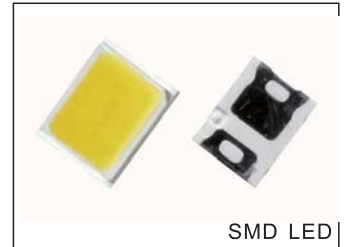


BB-YPD-XXX



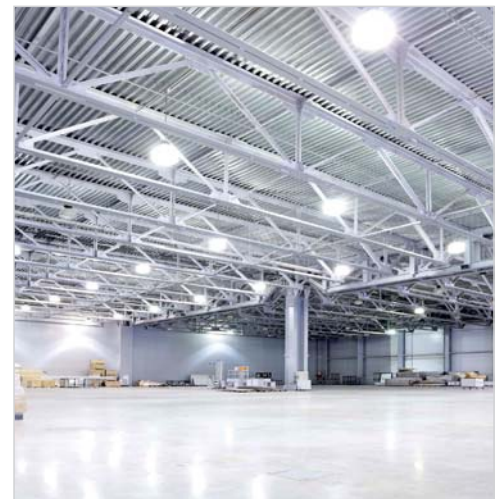
Features

1. Beam angle:120 degrees.
2. Aluminum fins heat sinks is good for heat dissipation.
3. It's major to replace the CFL/MH/HID/HPS.
4. Green, energy saving, long and reliable life of 50,000 hours.
5. No RF interference, No IR/UV radiation ,no mercury pollution.
6. Wide colour availability in degrees Kelvin(K),2700-6700K.
7. Streamline exterior design, beautiful appearance.
8. Environment friendly ,energy saving (70~80%).
9. Special circuit design, each LED work separately, avoiding the single broken LED influence problem.



Application

1. Area Lighting/Street Lighting.
2. Garage Lighting/Ceiling Lighting.
3. Warehouse Lighting.
4. High/Low Bay Lighting.



SPECIFICATIONS

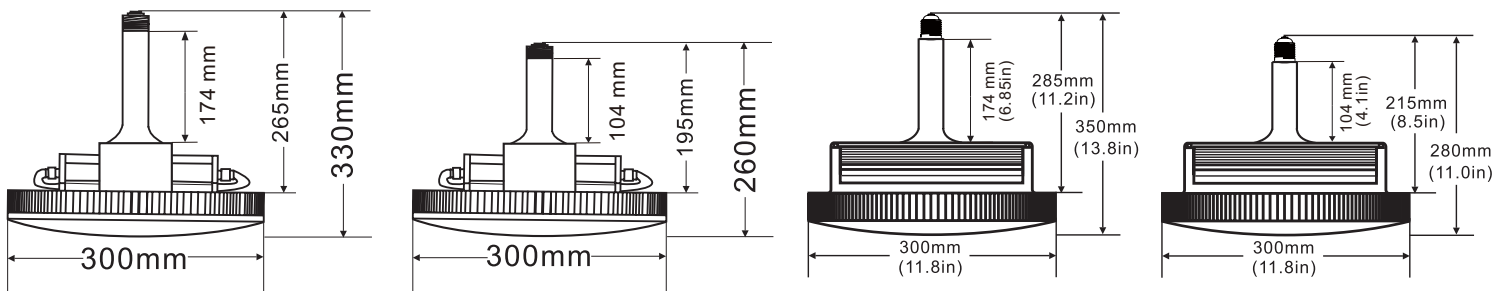
| | | | | |
|-------------------|--|------------|------------|------------|
| Power | 70W | 100W | 120W | 150W |
| Model | BB-YPD-033 | BB-YPD-034 | BB-YPD-035 | BB-YPD-036 |
| Luminous Flux | 8400lm | 12000lm | 14400lm | 18000lm |
| Replacement | HPS 200W | HPS 300W | HPS 400W | HPS 600W |
| Light Source | SMD LED | | | |
| Luminous Efficacy | >120lm/w | | | |
| Operation Temp. | -40 to +45°C | | | |
| CCT | 2700K SW / 3000K WW / 4100K NW / 5000K DW / 5700K CW | | | |
| CRI | 85 | | | |
| Life Span | 50,000 hours at 25°C | | | |
| Voltage | 100-277VAC/50-60HZ 200-480VAC available | | | |
| Driver | UL listed power supply | | | |
| Dimming | NO | | | |
| Beam Angle | 120° | | | |
| Lamp Base | E26/E27/E39/E40 | | | |
| PF | >0.95 | | | |
| Warranty | 3Years | | | |

DIMENSIONAL DRAWING

Horn rod size



Dimensions with cover



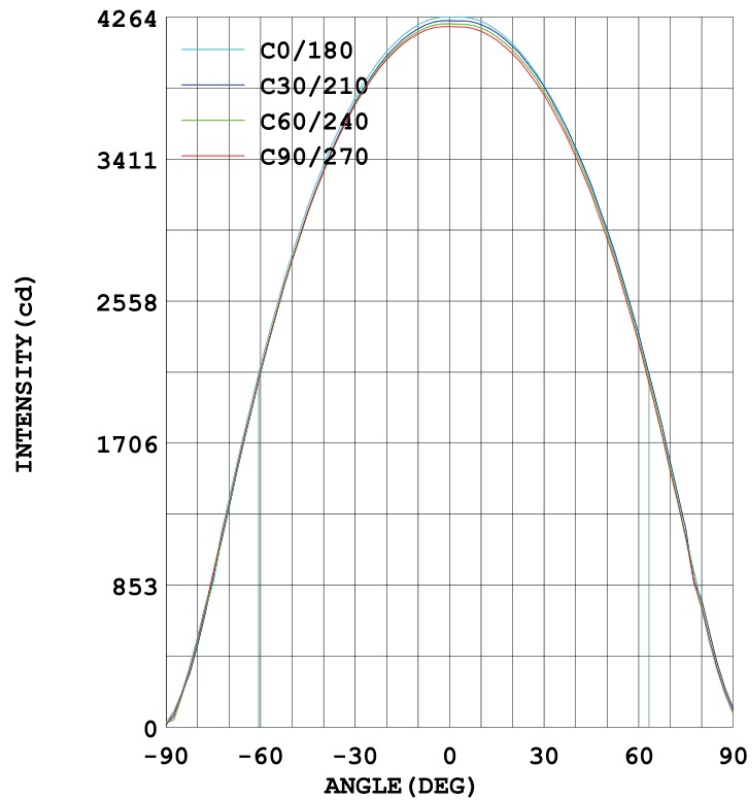
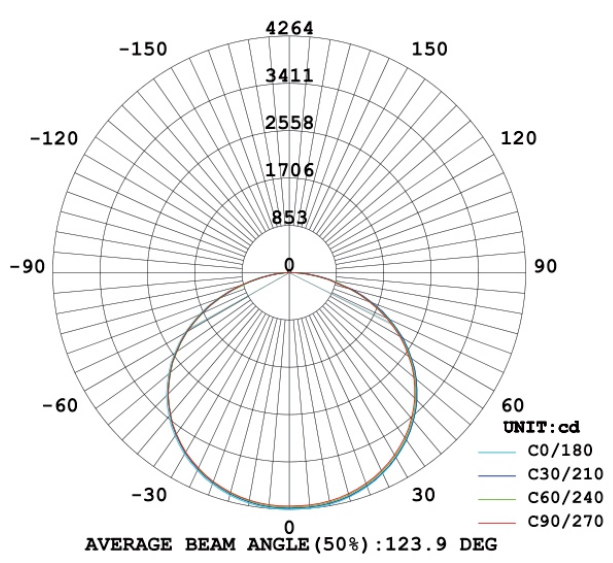
60W/80W/100W

120W/150W

* The height of the cover is 30mm(1.18in).

* Dimensions without cover is 30mm less than the height above, the others are the same.

LUMINOUS INTENSITY DISTRIBUTION



PROJECTS

By using our 120W Pizza Light to replace 400W Metal Halide bulb for warehouse high bay lighting fixtures, the customer is now able to save a lot per month from his electric bill.



120W LED = 400W MH

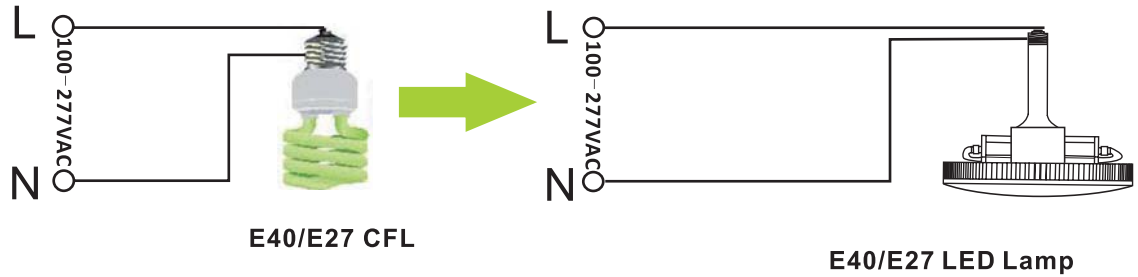
Note:

- Don't take the LED lamp apart.
- The LED lamp must work under the right voltage according to the specification.
- Must remove the Ballast, Capacitor, Ignitor before installing our LED Light.

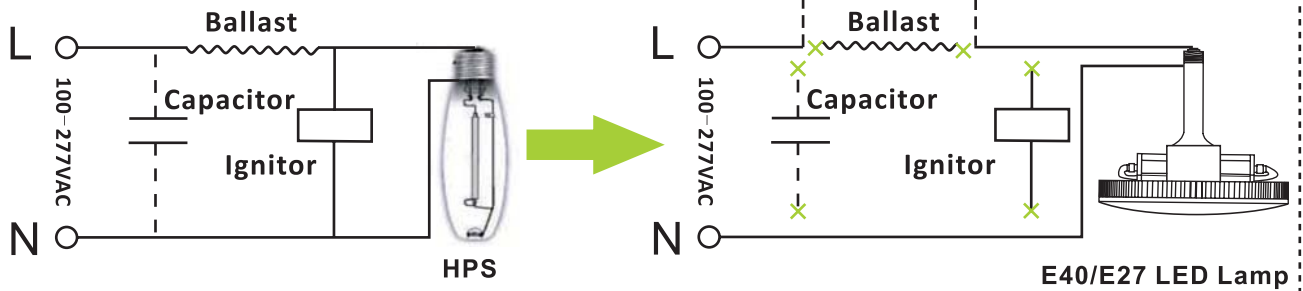
INSTALLATION

Normally. The traditional lamp has the ballast or capacitor or ignitor, like HPS, MH.

Replace E40/E27 CFL

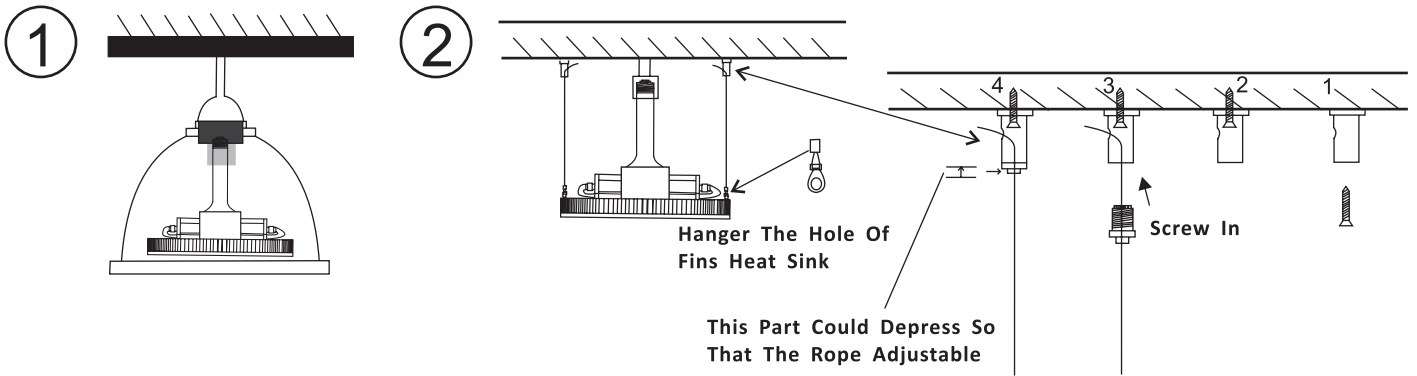


Replace HPS/MH



Note: remove the Ballast, Capacitor parts

E27/E40 Pizza Light has two kinds of installation:



PACKING INFO



| Packaging | Carton Size(mm) (L*W*H) | N.W | G.W | Volume weight |
|---------------|----------------------------|--------|--------|---------------|
| I) 2pcs/CTN | 510*365*365mm | 5.0kg | 6.5kg | 17.5kg |
| II) 3pcs/CTN | 510*365*365mm | 10.0kg | 12.0kg | 17.5kg |
| II) 4pcs/CTN | 510*365*365mm | 10.0kg | 12.0kg | 17.5kg |

I ---Complete packing

II ---Packing with long stem off(120W-150W,without cover)&(all with cover)

III---Packing with long stem off(60W-100W,without cover)