



LED Wallpack Light

BRIGHTEN YOUR LIFE

NEW LED TECHNOLOGY THAT ALLOWS THE
COEXISTENCE OF ENVIRONMENTAL
PROTECTION AND ENERGY SAVING

Benefits

1. Replace conventional Wallpack Lights.
2. Internal with heatsink + shading roof design.
3. Streamline design with small size, save shipping cost.
4. Easy Installation.
5. IP65 waterproof class.
6. CE ROHS ISO ETL DLC listed.



Standard: Right-angle PC cover



Flat PC cover

BB-RSD-XXXW-B2

Features

1. Beam angle:100x100 degrees.
2. Internal with heatsink with shading roof design, diecasting house with super great heat dissipation ability.
3. Green, energy saving, long and reliable life of 50,000 hours.
4. No RF interference, No IR/UV radiation ,no mercury pollution.
5. Wide colour availability in degrees Kelvin(K),2700-6700K.
6. Environment friendly ,energy saving (70~80%).
7. Intelligent temperature control branded driver used with 5 years long time warranty, aluminum drive house with IP67 waterproof, and it can fast conduct the heat from the driver to be out.
8. Branded 3030 led used, high lumen,long lifetime,whole lamp over 130lm/w one LED broken,all other leds still working.



Application

1. Building facades lighting.
2. Parking lots lighting.
3. Garages lighting.
4. Sidewalks lighting.
5. Loading areas lighting.
6. Other outdoor places lighting.



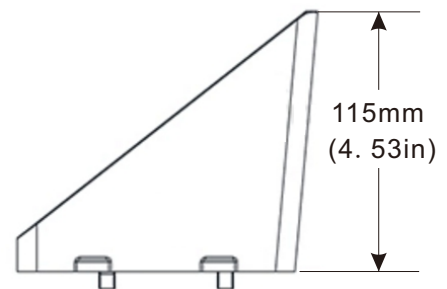
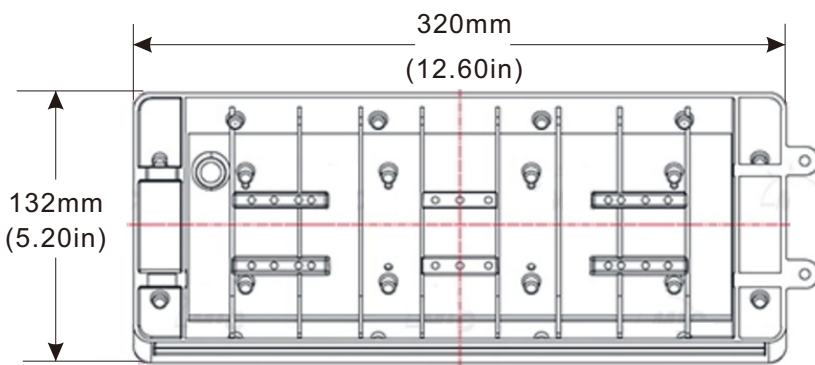
SPECIFICATIONS

Example:BB-RSD-100W-B2

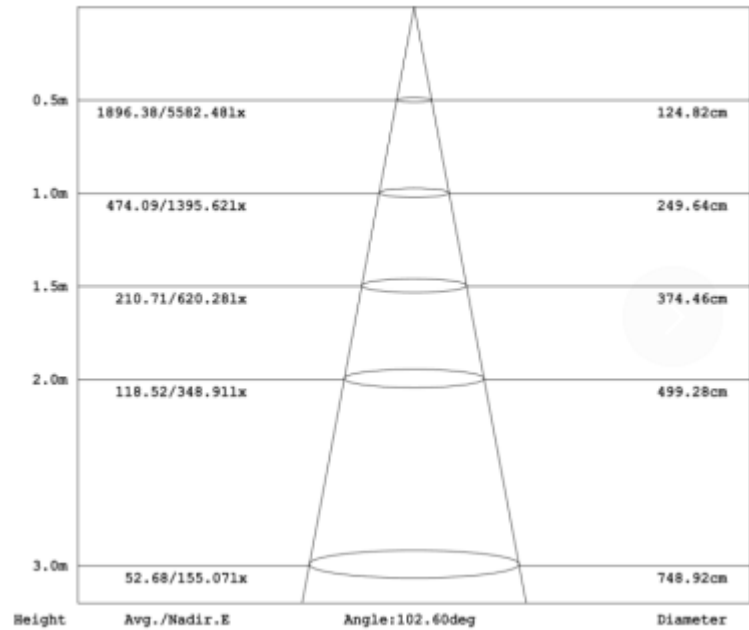
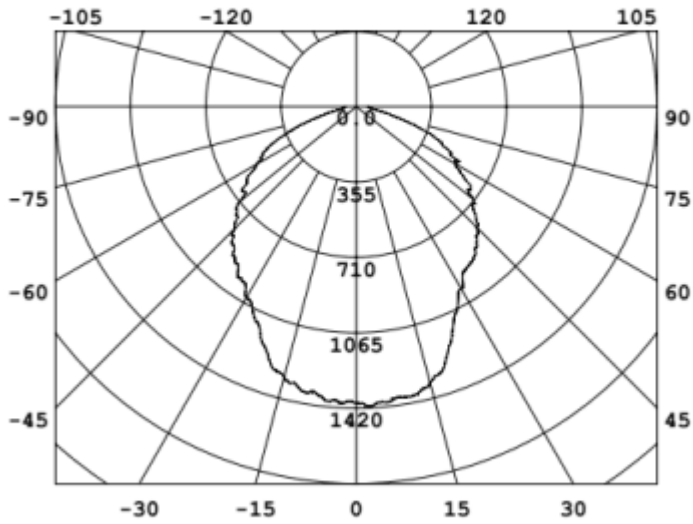
Area Series	Watts	Version	CCT	Voltage	Cover	Color
BB-RSD	35W	B2	SW-2700K	Blank-100-277VAC	Blank-Right-angle PC cover	Blank - black
	55W		WW-3000K	HV-200-480VAC	P2-Flat PC cover	WH - white
	80W		NW-4100K			BR - bronze
	100W		DW-5000K			
			CW-5700K			
			SCW-6500K			

Power	35W	55W	80W	100W
Model	BB-RSD-35W-B2	BB-RSD-55W-B2	BB-RSD-80W-B2	BB-RSD-100W-B2
Luminous Flux	4550lm	7150lm	10400lm	13000lm
Replacement	HPS 100W	HPS 200W	HPS 300W	HPS 400W
Cover	Standard: Right-angle PC cover(130lm/w). Special:Flat PC cover(170lm/w).			
Light Source	SMD LED			
Luminous Efficacy	130lm/w			
Operation Temp.	-40 to +45°C			
CCT	2700K SW / 3000K WW / 4100K NW / 5000K DW / 5700K CW			
CRI	>80			
Life Span	50,000 hours at 25°C			
Voltage	100-277VAC/50-60Hz 200-480VAC/50-60Hz available			
Driver	UL listed power supply			
Beam Angle	100x100°			
PF	>0.95			
IP	65			
Warranty	5Years			

DIMENSIONAL DRAWING



LUMINOUS INTENSITY DISTRIBUTION



PROJECTS

By using our 100W led wallpack light replace 400W MH/HPS/HID/LPS ect traditional lamp fixture for wallpack light , customer is now able to save a lot per month from his electric bill.



Replace



100WLED= 400W HPS



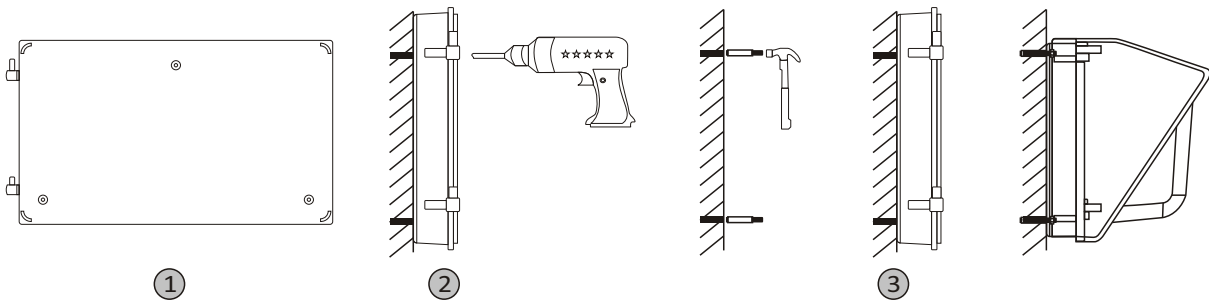
Note:

- Don't take the LED lamp apart.
- The LED lamp must work under the right voltage according to the specification.

INSTALLATION

* Install height from floor higher than 1.2m.

Installation1

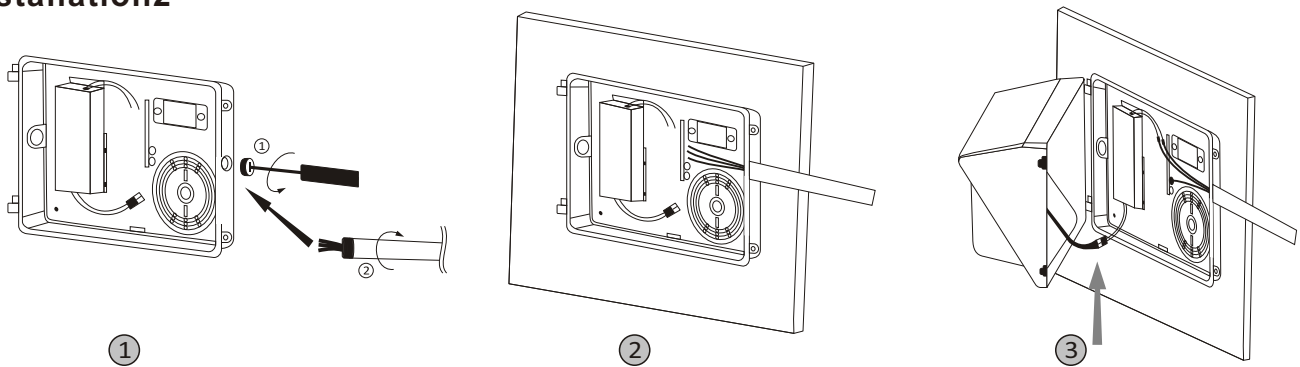


Step1. Take apart the PC cover and fixture housing.

Step2. Put the fixture on the wall, drill 3 holes to get through the.

Step3. Get expansion screws into the holes, match the fixture to the bolts, then fix the fixture on the wall by screws lastly get the PC cover and fixture housing back together.

Installation2



Step1. Loosen screws and remove the front lens set carefully from the back plate.

Step2. Remove 1/2" plug from where you intend to feed conduit.

Step3. Drilling out the holes (C) to secure it on the wall with choosing proper screws.

Step4. Finish wiring (Black for line, White for neutral and Green/Yellow Green for ground).

Step5. Replace the lens set on the hinge and finish connection, Close the lens set and tighten the screws to fasten the lens set to the back plate.

PACKING INFO



Item	Packaging unit	Carton Size(mm) (L*W*H)	N.W	G.W	Volume weight
35W-100W	1pc/CTN	370*210*180mm	3.5kg	4.0kg	4.0kg