



LED Shoebox Light 3 Step Dimming

20% / 50% / 75% / 100% wireless remote control

BRIGHTEN YOUR LIFE

NEW LED TECHNOLOGY THAT ALLOWS THE COEXISTENCE OF ENVIRONMENTAL PROTECTION AND ENERGY SAVING

Benefits

1. Replace conventional Shoebox Lights.
2. Precision Die Cast Aluminum Housing.
3. Durable Chip and Fade Resistant Powder Coat Finish.
4. Easy Installation.
5. CE, ROHS, ETL, DLC Premium listed.
6. California New Policy request Shoebox have to need 3 Step Dimming with Sensor in 2017.



Standard: no sensor
100W/150W/(200W-DR2)



Photocell sensor
100W/150W/(200W-DR2)



Microwave sensor
100W/150W/(200W-DR2)



Standard: no sensor
200W/240W/320W



Photocell sensor
200W/240W/320W



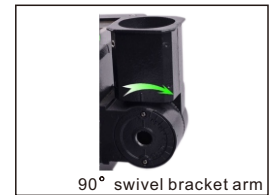
Microwave sensor
200W/240W/320W

Features

Example:BB-LD-100W-S-A-DW-DR1-SF

Area Series	Watts	Version	Control	CCT	Voltage	Bracket	Color
BB-LD	100W	S	A - No Sensor	SW-2700K	DR1-100-277VAC	SF- Slip Fitter AM- Arm Mount TR- Trunnion	Bronze(default)
	150W		B - Photocell Sensor	WW-3000K	DR2-100-277VAC		White optional
	200W		C - Motion Sensor	NW-4100K	DR3-A/B/C-100-277VAC		Black optional
	240W			DW-5000K	DR4-A/B/C-100-277VAC		Silver optional
	320W			CW-5700K	DR5-200-480VAC		
		SCW-6500K					

1. Aluminum die-casting heat sinks is good for heat dissipation.
2. It's major to replace the conventional shoebox light.
3. Green, energy saving, long and reliable life of 50,000 hours.
4. No RF interference, No IR/UV radiation ,no mercury pollution.
5. Wide colour availability in degrees Kelvin(K),2700-6700K.
6. Streamline exterior design, beautiful appearance.
7. Environment friendly ,energy saving (70~80%).
8. Special circuit design, each LED work separately, avoiding the single broken LED influence problem.



Application

1. Area Lighting/Street Lighting.
2. Architectural decorative Lighting.
3. Industrial Lighting.
4. Stadium Lighting.
5. Port wharf Lighting.
6. Roadway Lighting.

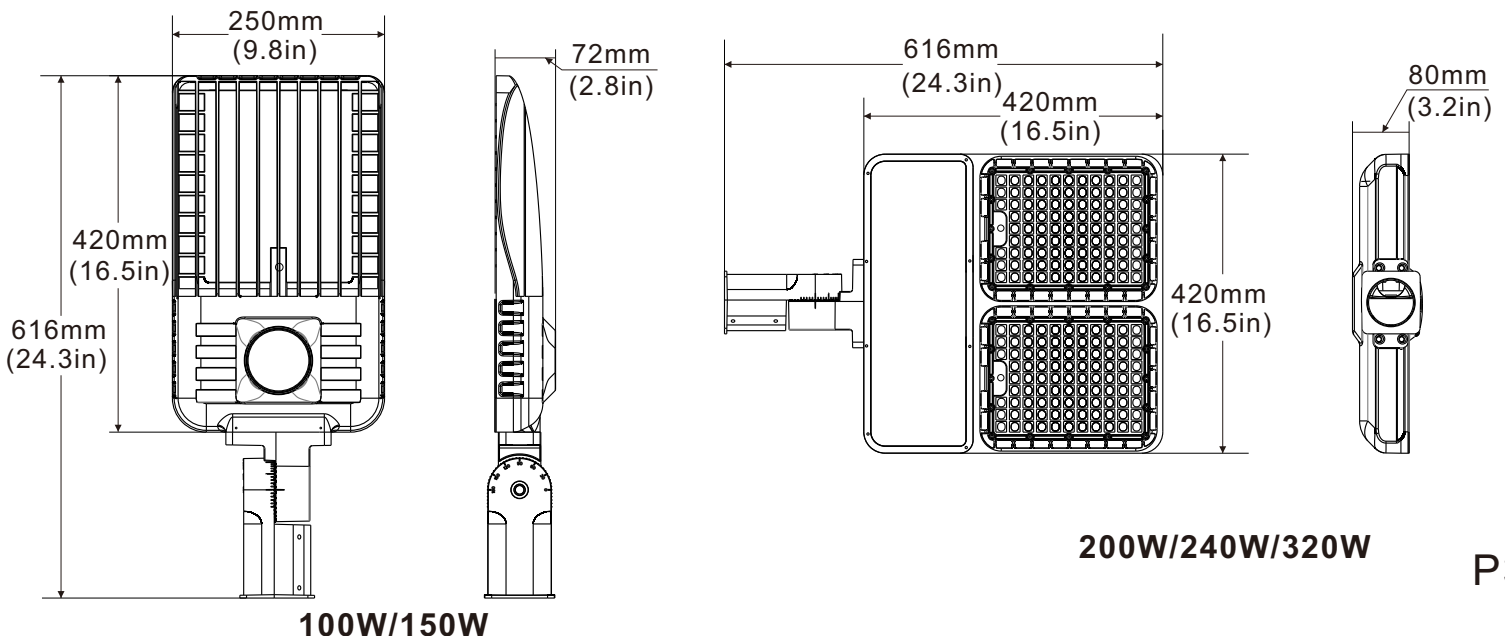


* California New Policy request Shoebox have to need 3 Step Dimming with Sensor in 2017.

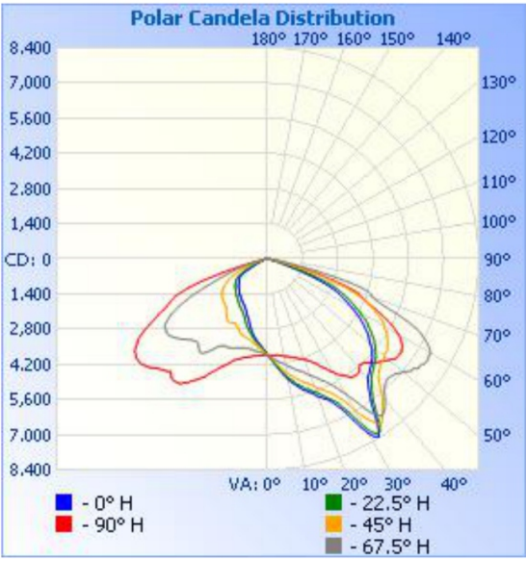
SPECIFICATIONS

Power	100W	150W	200W	240W	320W
Model	BB-LD-100W-S-X-YY-DRZ-V-UU	BB-LD-150W-S-X-YY-DRZ-V-UU	BB-LD-200W-S-X-YY-DRZ-V-UU	BB-LD-240W-S-X-YY-DRZ-V-UU	BB-LD-320W-S-X-YY-DRZ-V-UU
Luminous Flux	13000lm	19500lm	26000lm	31200lm	41600lm
Replacement	HPS 300W	HPS 400W	HPS 600W	HPS 700W	HPS 1000W
Model Description	<p>“X” can be A,B,or C,represents the function,A=no photocell sensor , B=photocell sensor , C= motion sensor;“YY” stands for CCT,YY can be SCW,CW,DW,NW,WW or SW,SCW=6500K,CW =5700K,DW=5000K,NW=4100K,WW=3000K,SW=2700K;“DRZ-V” stands for driver model, it can be DR1,DR2,DR3,DR3-A,DR3-B,DR3-AB,DR4,DR4-A,DR4-B,DR4-AB,DR5,DR5-A, DR5-B,DR5-AB,DR1=DM Series Driver model,DR2=Shenzhen Sosen Electronics Co Ltd Driver model,DR3-A/B/AB=MEAN WELL HLG series Driver model(100-277V),DR4-A/B/AB=MEAN WELL ELG series Driver model(100-277V),DR5-A/B/AB=Series Driver model(200-480V).</p> <p>“UU” stands for bracket,UU can be SF,AM or TR.SF=Slip Fitter,AM=Arm Mount,TR=Trunnion. For example:BB-LD-100W-S-A-CW-DR1-SF.</p>				
Light Source	SMD LED				
Luminous Efficacy	130lm/w				
Operation Temp.	-40 to +45°C				
CCT	2700K SW / 3000K WW / 4100K NW / 5000K DW / 5700K CW / 6500K SCW				
CRI	>80				
Color	Black , White , Bronze or Silver,optional.				
Life Span	50,000 hours				
Voltage	100-277VAC/50-60Hz 200-480VAC/50-60Hz available				
With sensor	No Sensor,Motion Sensor,Photocell Sensor,optional.				
Microwave sensor default setting	Someone brightness 100%, microwave sensitivity 75%, hold time 5 minutes, start illumination 50LUX, continuous brightness 30%, the duration of 30 minutes.				
PF	>0.95				
IP	65				
Warranty	5Years				

DIMENSIONAL DRAWING



LUMINOUS INTENSITY DISTRIBUTION



Illuminance at a Distance

Height	Center Beam fc	Beam Width	Beam Width
3.3ft	351.9 fc	3.5 ft	14.7 ft
6.6ft	88.0 fc	7.0 ft	29.5 ft
9.9ft	39.1 fc	10.4 ft	44.2 ft
13.2ft	22.0 fc	13.9 ft	59.0 ft
16.5ft	14.1 fc	17.4 ft	73.7 ft
19.8ft	9.8 fc	20.9 ft	88.5 ft

■ Vert. Spread: 55.6°
■ Horiz. Spread: 131.8°

Type II

Two Driveway
Driveway Entrance
Urban Main Roads

Type III

Three Driveway
Highway
Parking Lot/Area

Type IV

Four Driveway
Parking Lot/Area

Type V

Square Parking
Lot/Area

PROJECTS

By using our 150W LED Shoebox Light to replace 400W Metal Halide bulb for shoebox fixtures, the customer is now able to save a lot per month from his electric bill.



Replace



150W LED = 400W MH

Note:

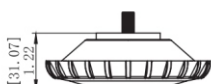
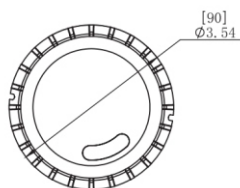
- Don't take the LED lamp apart.
- The LED lamp must work under the right voltage according to the specification.

Microwave Sensor



BR1816

Microwave sensor



RC-100

wireless handheld Remote control



Power supply	120-277VAC
Maximum load @-104° F~158° F (-40°C~70°C)	Resistive/Tungsten-600W@120V Ballast Electronic(LED)-800/ 1200VA@120/277V
HF System	5.8GHz CW
Dim control output	0-10V,max.25mA sinking current
Detection radius/angle	Max meters/360°
Mounting height	Max 50ft
Remote range	50ft.(15m)indoor,no backlight
Humidity	Max.95% RH
Temperature	-104° F~158° F(-40°C~70°C)

	Permanent on permanent off mode		DISPLAY Current Settings
	The selected parameters go to SEND		Back to previous settings before on/off model
			In test mode,hold time is only 2s,and stand-by time and daylight sensor are disable.
	Enter in Adjustable Control parameters condition and navigate for UP and DOWN		Confirm settings
	Navigate for Right and Left		Photocell On/Off,when the light level exceeds this setting,the lights will turn off even when the space is occupied. When light level goes below the settings,the light will turn on even without motion detection. This feature is disabled by default.
	The latest surrounding lux value overites pervious lux value learned		
	To Save these New Settings parameters as Mode 1 Mode 2 Mode 3	LUX	Set the sensor built-in light perception on on behalf of the built-in light value does not work, as long as the detection of movement, the light will automatically light.Eyes represent the light perception of the current environment as a built-in light perception,When the ambient light is less than or equal to the built-in light perception (/10LUX/30LUX/50LUX), the motion light is automatically turned on, otherwise it will not light.
BRIGHTNESS	Adjust the brightness of the delay period 70%/80%/90%/100%		
SENSITIVITY	Adjust the detection range 20%/50%/75%/100%		
HOLD TIME	Adjust the delay time 10S/1M/5M/10M/15M		
STAND-BY TIME	Adjust the waiting time +∞ /1M/30M/60M		
STAND-BY DIM	Adjust the brightness of the waiting period 0/10%/20%/30%.Note: If 0 is selected, the sensor is switched and not dimmed		

Features

- * Provides line voltage On/Off switching and 0-10VDC dimming control.
- * Works with ballasts or LED drivers.
- * High and low modes fully adjustable from 0 to 10V.
- * Time delay from 5 to 30 minutes.
- * Optional cut off delay.
- * Adjustable ramp up and fade down times.
- * High inrush stability zero crossing circuitry for reliable, long-life operation
- latching relays durable for all load.
- * Optional daylighting setpoints feature automatic calibration, or permit manual adjustment.
- * Polycarbonate, flame retardant, UV resistant, impact resistant.
- * UL773A and FCC.

Dimming Function

3-Step dimming function

The product can achieve 3-stage dimming control, to choose from: Brightness 100% -->

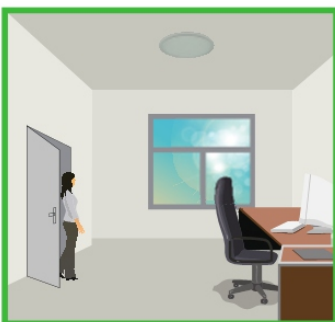
Dimming Brightness (10% 20% 30% optional) --> Off;

Provides two delay times: Full Bright Delay Time and Half Brightness Time;

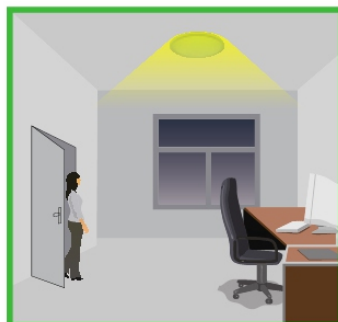
Daylight Detection threshold and sensing distance adjustable.

If the set light value (10Lux, 30Lux, 50Lux) is less than the brightness of the ambient natural light, the lamp does not automatically enter the semi-bright state (10%, 20%, 30%).

When someone enters the room, the sensor senses the movement of the human body, the light will be 100% full, when the person leaves, the full light delay time after the light will enter half bright (10%, 20%, 30%), half light delay time Off.



When someone enters the induction area during the day, when the light is sufficient, the lamp will not light.



Evening to night when the lack of light, people into the lamp sensor area, the lights automatically open 100% brightness.



When the person leaves the sensing area, the brightness of the fixture will dim to 0/10% /20%/ 30% (optional) after the full delay time.



After the dimming delay time, if no one into the sensor area, the lights automatically shut down.

wireless handheld configuration tool

2-way IR communication for data upload,download, confirmation and storage.



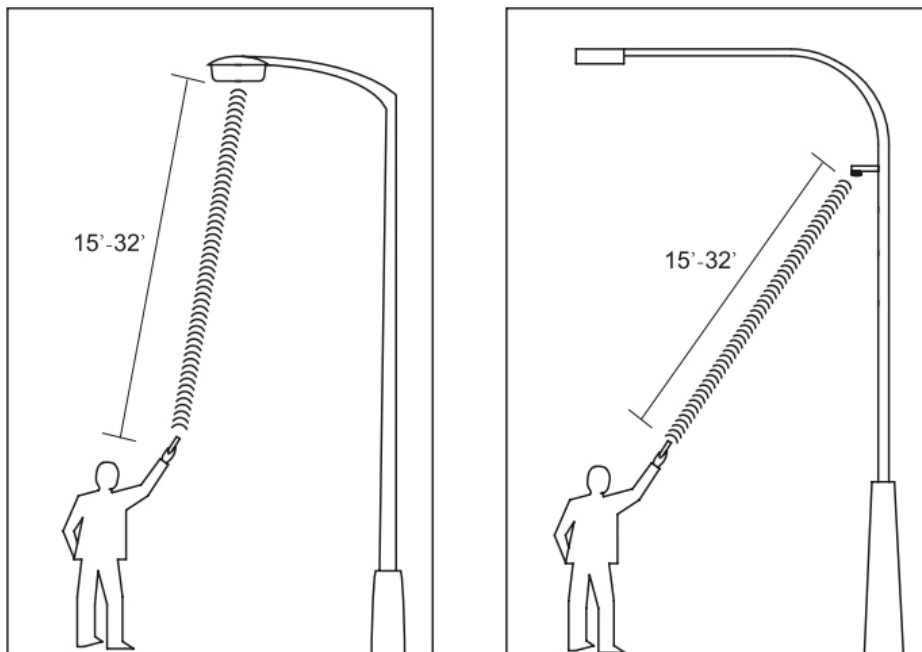
Easy-to-read Display

Easy-to-use operation pad

Feature Of Wireless Handheld

- * Establishes high and low mode light levels for 0-10V control.
- * Sets time delay,cut off time and sensitivity for motion detection.
- * Enables light level settings for either hold off control or daylighting control.
- * Initiates automatic setpoint configuration.
- * Allows ramp up and fade down rate adjustments.
- * Locks sensor settings to prevent unauthorized changes.
- * This product meets the materials restrictions of ROHS.

IR Coverage Of wireless handheld

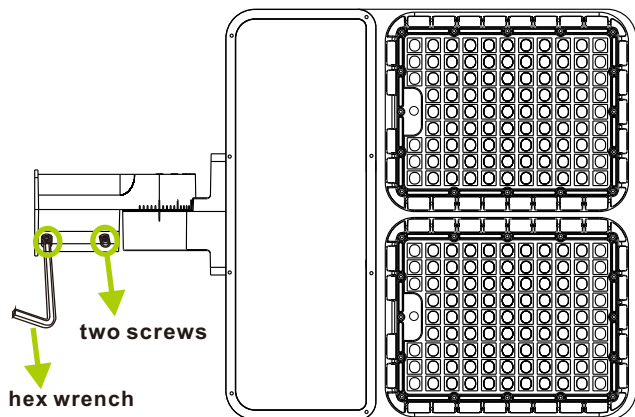


*Distance may vary depending on the lighting environment

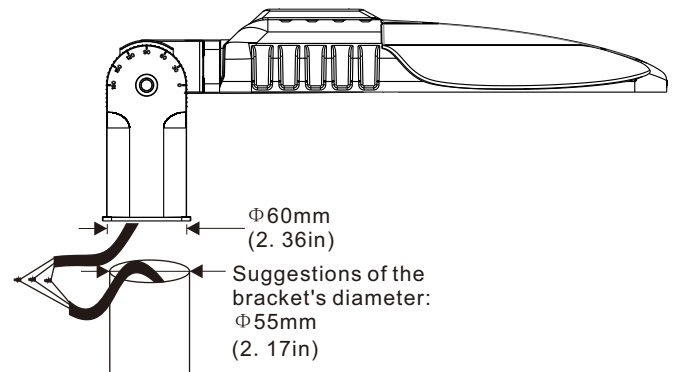
Catalog No.	Color	Description
<input type="checkbox"/> BR1816	White	360° lens,maximum coverage 60' diameter from 8'-40' height
<input type="checkbox"/> RC-100	Black	Remote control Battery:AAAx2

INSTALLATION

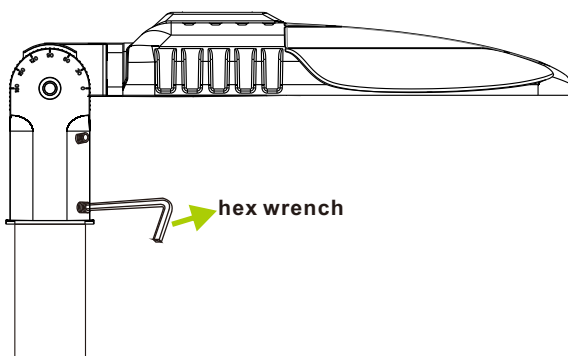
Warning: If the lamp pole has existing ballast or capacitor, please take them off. Because the shoebox street lamp just connecting to AC (alternating current) input it will work.



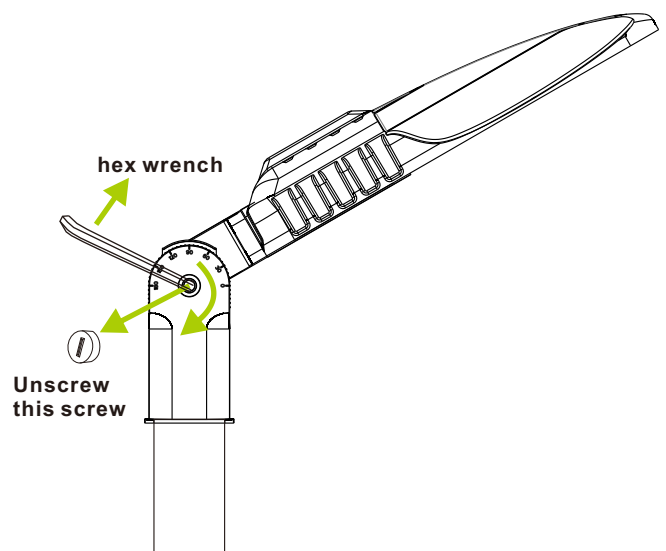
1. As shown above, we should make the two screws loose with a hex wrench.



2. Wiring right and set the lamp into the bracket by the hole.



3. We should make the two screws fixed with a hex wrench.



4. First, unscrew the screw, and then we can adjust the angle of the lamp body we want with a hex wrench.

You can choose the below styles of bracket to install.



1 light adjustable option



2 light adjustable option



3 light adjustable option

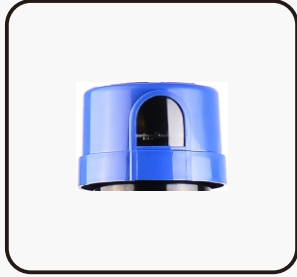


4 light adjustable option

ACCESSORIES

Optional Accessories

Unit: in(mm)



Photoelectric Control



Motion Sensor



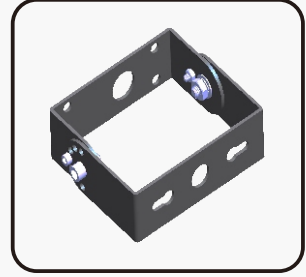
Remote Control



Slip Fitter(2.5" round pole)



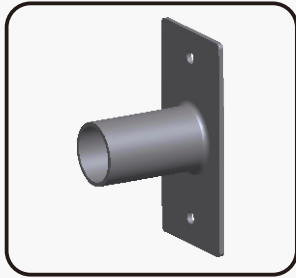
Arm mount



Trunnion-A

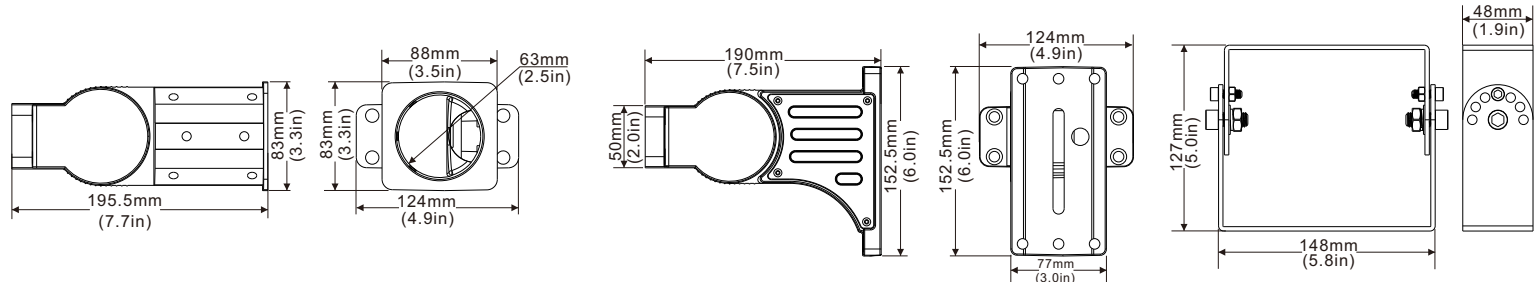


Trunnion-B



Adapter bracket

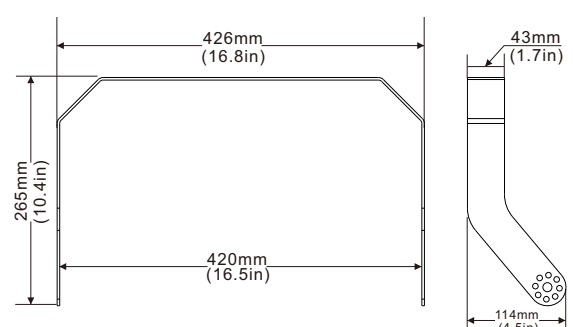
Dimension



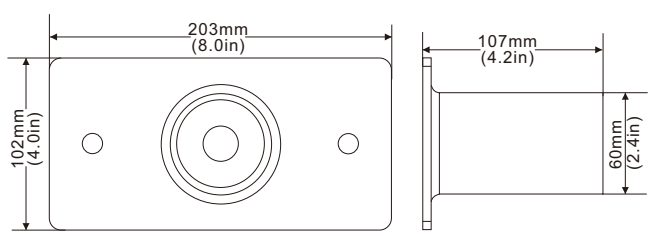
Slip Fitter

Arm mount

Trunnion-A

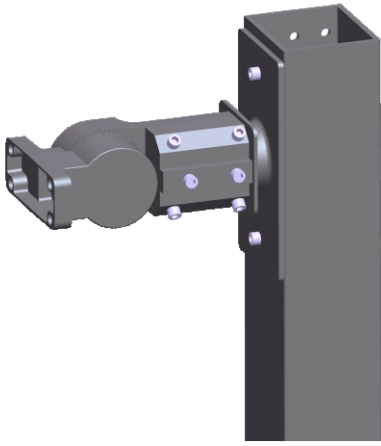


Trunnion-B

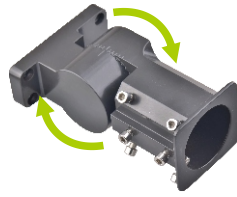


Adapter bracket

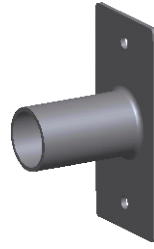
Slip Fitter



Square pole installation



Rotatable



Adapter bracket



Arm mount

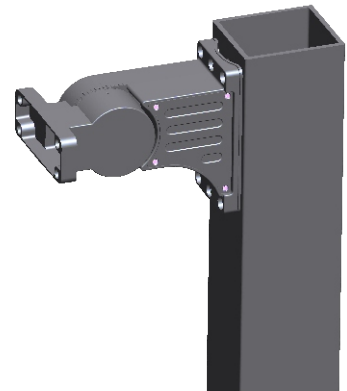
Arm mount



Rotatable



Round pole installation



Square pole installation

PACKING INFO



Packaging unit	Carton Size(mm) (L*W*H)	N.W	G.W	Volume weight
1pc/CTN (100-150W)	640*294*121mm	7.0kg	8.0kg	6.0kg
1pc/CTN (200-320W)	634*462*131mm	8.0kg	9.0kg	9.5kg