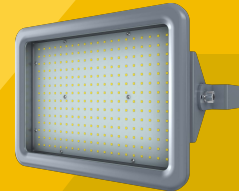




Explosion Proof Light A Series



Industrial Field & Hazardous Locations

Applications

Oil and Gas industry

- All petroleum production and refining
- Petroleum loading and transportation
- Petroleum storage and retail
- LNG industry

All mining operations and service

Chemical industry

- All types of paint facilities
- Chemical production and storage

Ocean, marine and aerospace field

- Ocean platform operation facilities and structure
- Aerospace clean room and production
- Ocean vessel operations

Metal treatment

- Steel and aluminum factories
- Pumping stations in any environment
- Metal smelting, foundry and fabrication

Food and alcohol industry

- Flour and fine particle production and storage
- Food and distilling production
- Alcohol industry

Other high humidity, high dust, high temperature, vapor locations





A2



A



A3



A4

Explosion Protection

Marking ATEX

II 3 G Ex ec IIC T3C Gc
II 2 D Ex op is tb IIIC T160°C Db
EX IIC EX mb eb IIC T3C Gb
II2 EX op is tb IIC T3C Db

Marking IECEX

Ex ec IIB T3C Gc
Ex op is tb IIIC T160°C Db
EX mb eb IIC T3C Gb
EX op is tb IIC T3C Db

Materials

- Housing: Aluminum
- Lens: Tempered glass

Marking UL844 (North American)

Class I, Division 2, Groups A, B, C, D
Class II, Division 1, Groups E, F, G
Class II, Division 2, Groups F, G
Class III

Marine Marking

UL 1598, UL1598A
ABS

Other Rating

IP 66

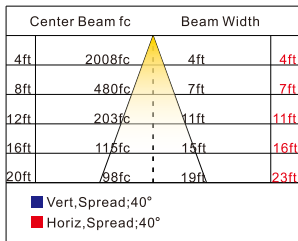
- Hardware: stainless steel
- Mounting Bracket: stainless steel

Features

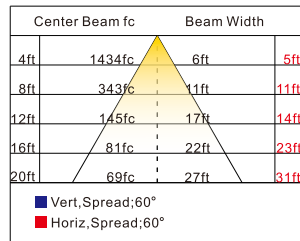
- Working Temperature: -40°C ~ +40°C.
- High quality SMT LED and Meanwell Driver.
- Heavy-duty and high impact resistance.
- Dimmable and battery back up for options
- Marine rating powder coated appearance treatment.
- Up to 5 years limited warranty option.
- Various installation ways for different applications.

Light Distribution

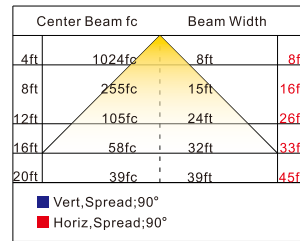
200W/40D



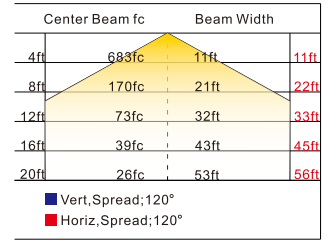
200W/60D



200W/90D



200W/120D



Specification

Product Number	Wattage	Color Temperature	Voltage	Lumens	Warranty	CRI
EX-20W A2YZDA	20	3500K-5700K	AC100-277V	2800	5 years	80
EX-40W A2YZDA	40			5600		
EX-60W A2YZDA	60			8400		
EX-80W AYZDA	80			11200		
EX-100W AYZDA	100		14000			
EX-150W A3YZDA	150		AC100-277V Or AC200-480V	21000		
EX-180W A3YZDA	180			25200		
EX-200W A3YZDA	200			28000		
EX-150W A4YZDA	150			21000		
EX-180W A4YZDA	180			25200		
EX-200W A4YZDA	200			28000		
EX-250W A4YZDA	250			35000		
EX-300W A4YZDA	300			42000		
EX-400W A4YZDA	400		56000			

“A, A2, A3, A4”=Product code. “Y”=D or N:Dimmable or non-dimmable “Z”=CCT, from 3500-5700K.
 “D”=Beam angle, D40 for 40°, D60 for 60°, D90 for 90°, D120 for 120°.

Packing Information

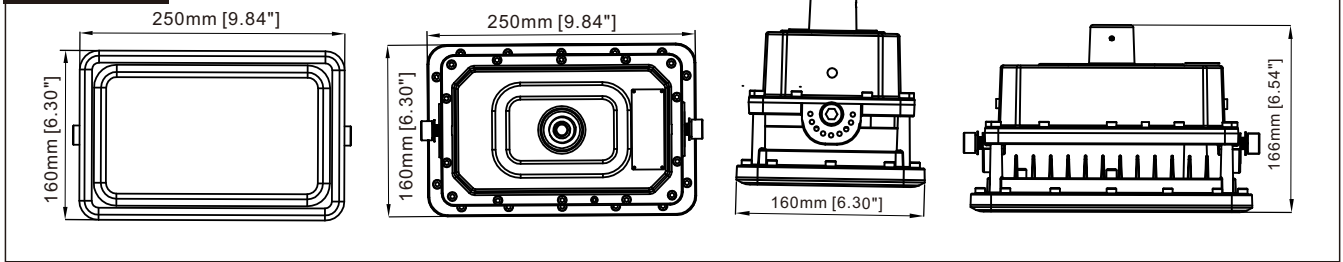
Model	Quantity/Carton	Length(cm)	Width(cm)	Height(cm)	Net weight(kg)	Gross weight(kg)
A	1	37.5	34	21.5	6.95	7.9
A2	1	36.5	27	30.5	4.15	5.3
A3	1	48.5	34	36.5	8.3	10.3
A4	1	35	47	40	15.1	17

Dimension

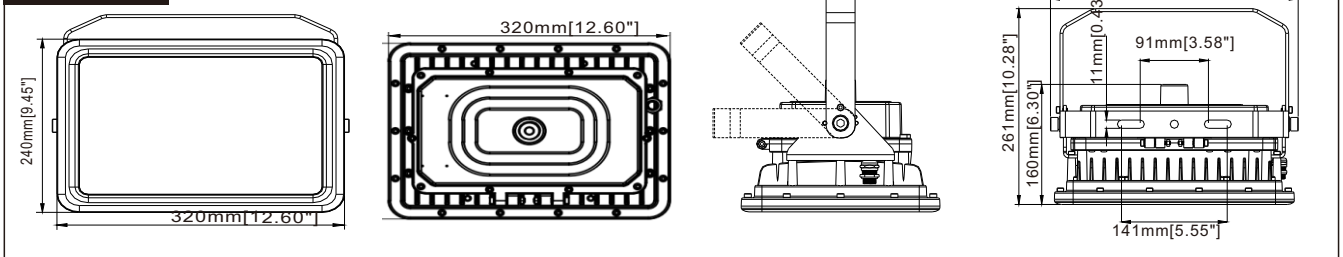
These structure type with bracket, flat glass and optics lens generates 40°, 60°, 90° and 120° light distribution.

Unit: mm or inch

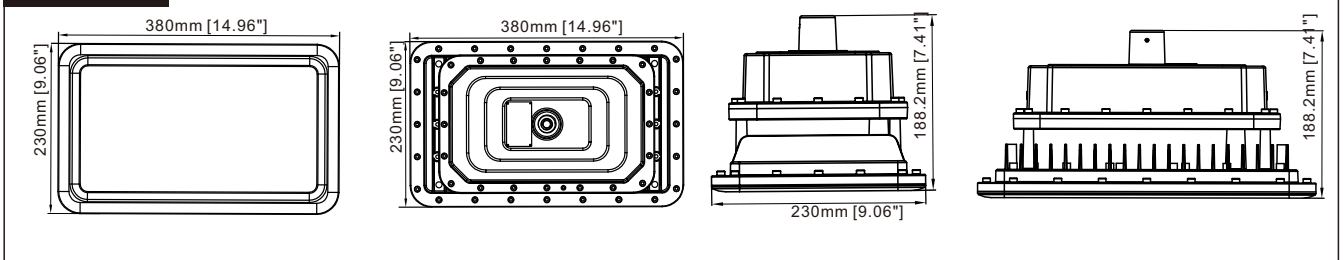
A2 Series



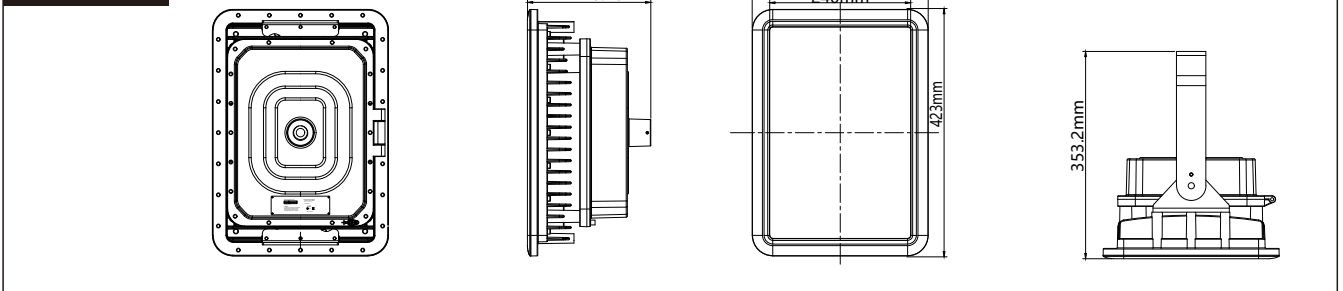
A Series



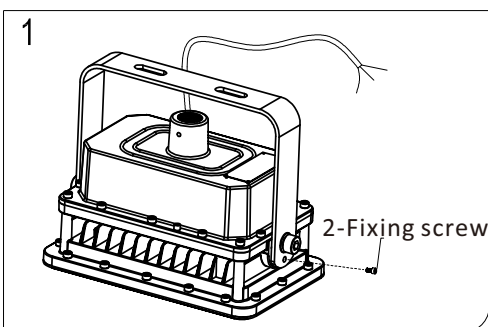
A3 Series



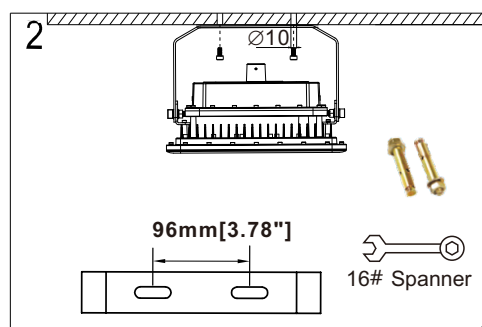
A4 Series



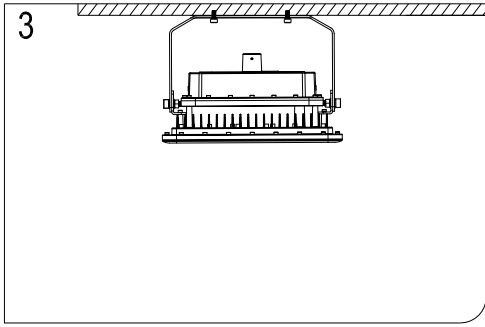
Ceiling Mounting



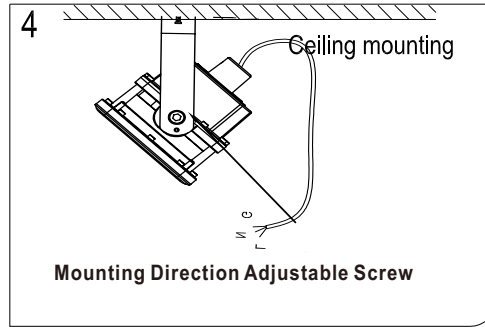
2. Install and tighten flexible metal conduit with the fixture.



3. Drill 2x hole as shown in Fig.2, the distance can be 91~140mm, fixing $\varnothing 10$ expanded crews and bracket on ceiling.

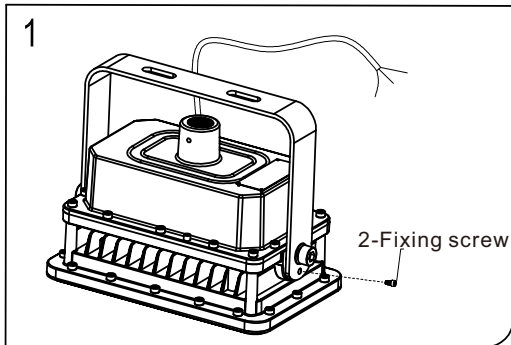


4. Connect black cable to L, connect white cable to N, connect green cable to grounding.

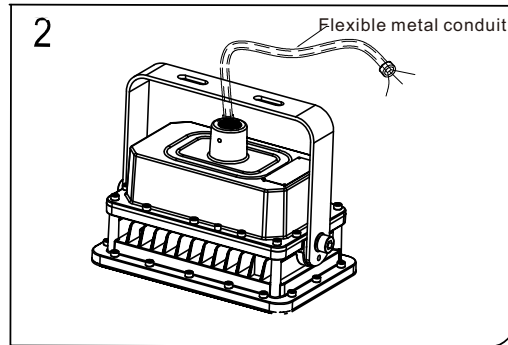


5. Adjust the beam angle from 0-180°.

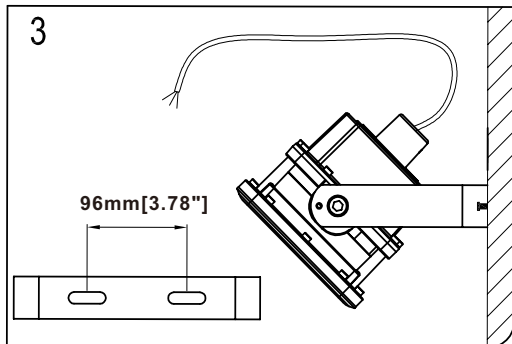
Wall Mounting



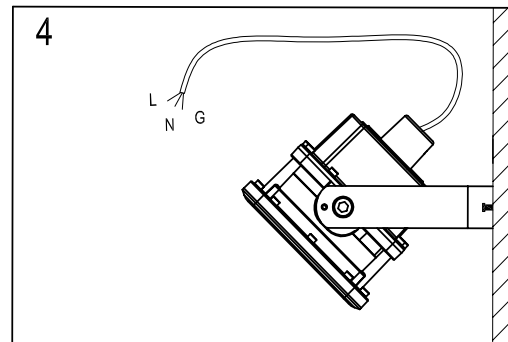
1. Take the fixture and accessory out from carton box, tighten 2x angle holder screw as Fig.1.



2. Install and tighten flexible metal conduit with the fixture.

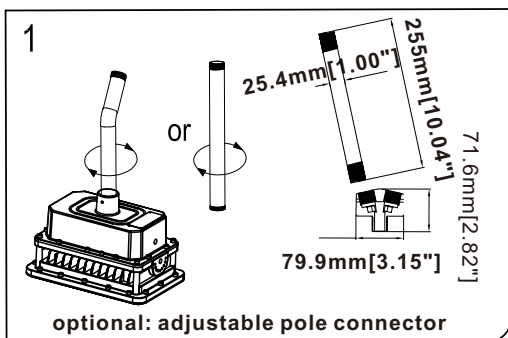


3. Drill 2x hole as Shown in Fig.2, the distance can be 91~140mm, fixing $\varnothing 10$ expansion screws and bracket on ceiling.

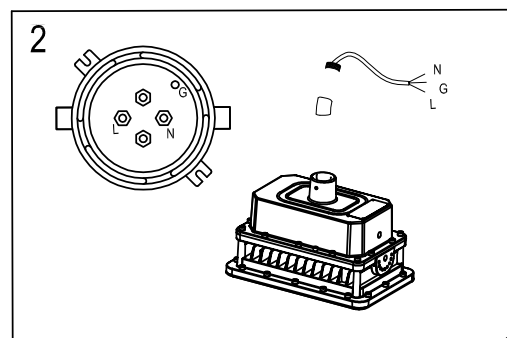


4. Connect black cable to L, Connect White cable to N, Connect green cable to grounding.

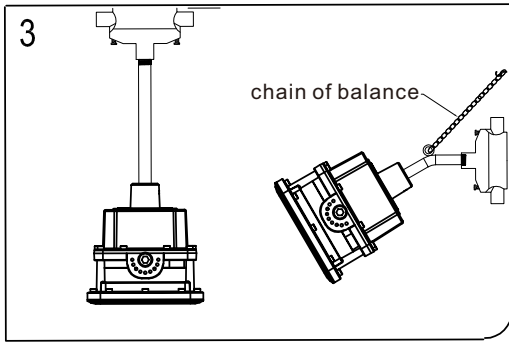
Pole Mounting



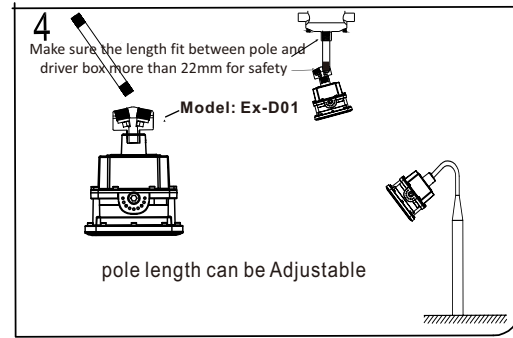
1. Take the fixture and pole accessory out from carton box, tighten pole as shown in Fig.1.



2. Connect black cable to L, Connect White cable to N, Connect green cable to grounding.

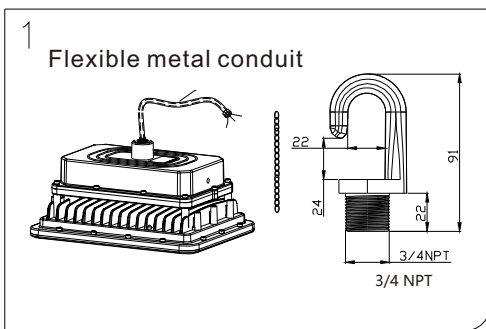


3. Drill 4x $\varnothing 10\text{mm}$ holes, as 100mm distance, install the junction box to the wall or ceiling as shown in Fig.3, tighten the pole to the box, and adjust the chain of balance.

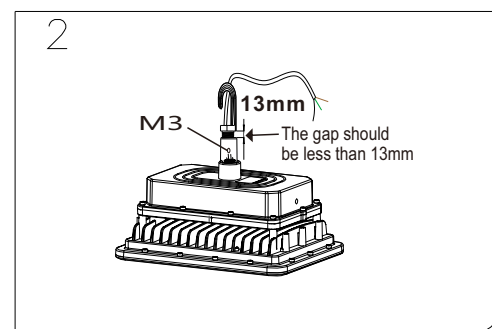


4. Adjustable pole installation. With this adjustable kit, you can Make any light distribution direct as you want. Optional: Install the fixture to the long pole after cable connecting cable.

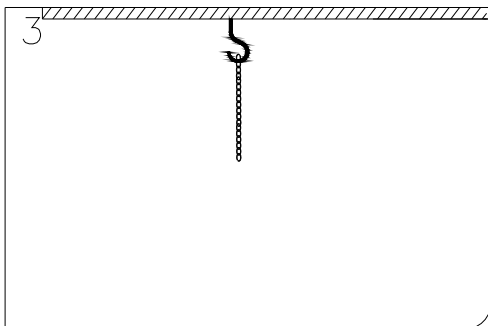
Hook Pendant



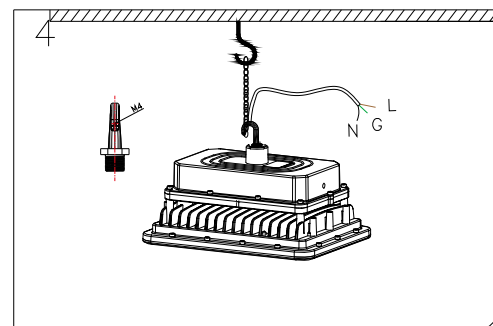
1. Take the fixture and accessory out from carton box, tighten 2x angle holder screw as shown in Fig.1.



2. Tighten the hook with the fixture, at least 6x teeth need to be tighten, fix the M3 screw to prevent the hook loosening .



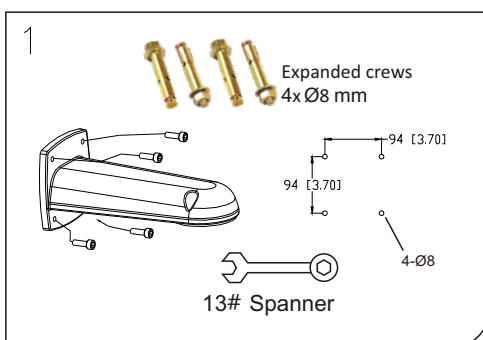
3. Drill 1 expansion screw hole and install it, and hang the chain as shown in Fig.3.



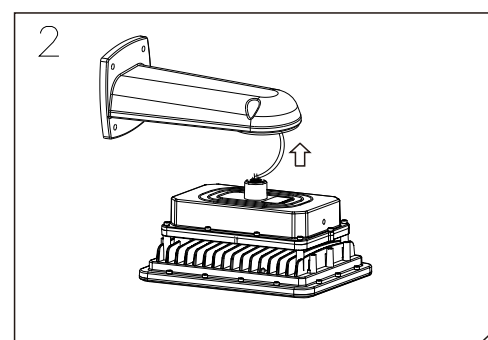
4. Hang the fixture to the hook as above, connect black cable to L, connect White cable to N, connect green cable to grounding.

Arm Mounting

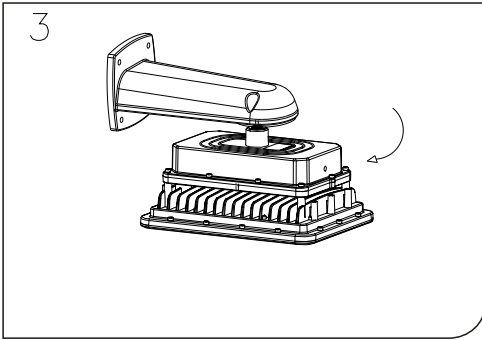
This installation method is only for Model A2 and Model A. It can not be applied on model A3 because model A3 too heavy. Only one electrician is required for this installation.



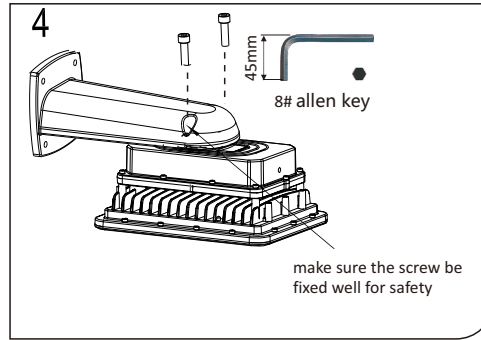
1. Drill 4x holes as above distance, and fix the arm on the wall, tighten 4x screws as shown in Fig.1.



2. Contact the power AC wire with lamp, put the terminal into the arm.



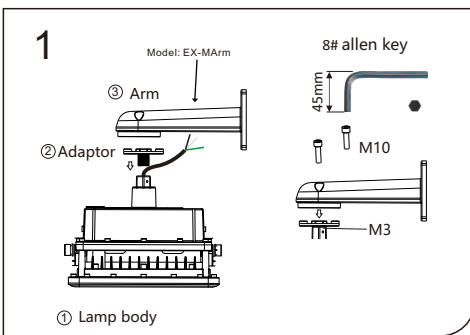
3. Match the circle part with arm, and rotate it to right.



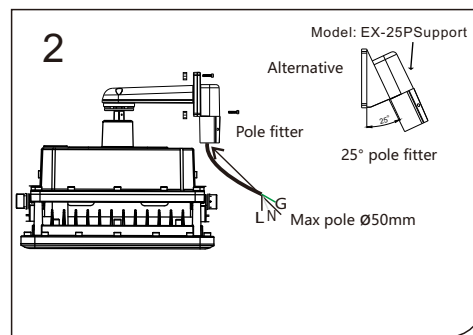
4. Tighten 2x screws to avoid the lamp loosed.

Stanchion Mounting

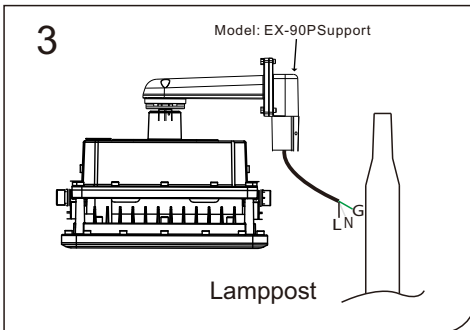
This installation method is only for Model A2 and Model A. It can not be applied on model A3 because model A3 too heavy. Only one electrician is required for this installation.



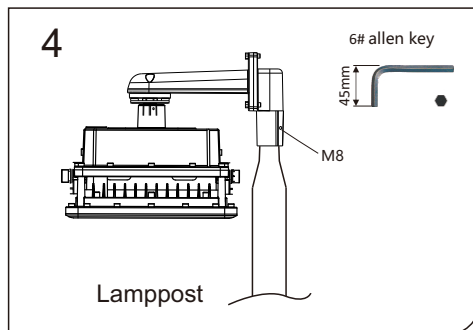
1. Tighten part 2 and assembly 1, and fix the M3 screw, install arm to the adaptor, tighten the M10 via 8# allen key.



2. Install the pole fitter with arm via 4x M8 screws, the max suitable pole diameter 50mm, the alternative 25 degree pole fitter.

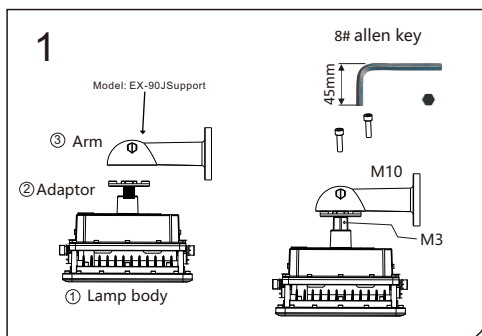


3. Contact the cable to AC wire, connect black cable to L, connect White cable to N, Connect green cable to grounding.

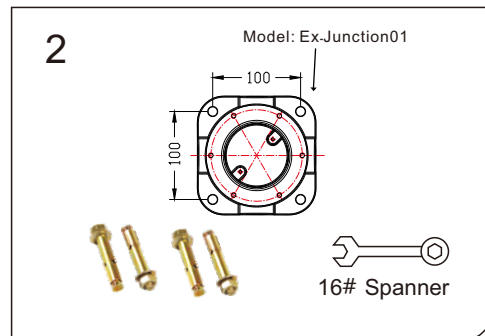


4. Slip the fitter to the lamppost and tighten M8 inner hexagonal screw.

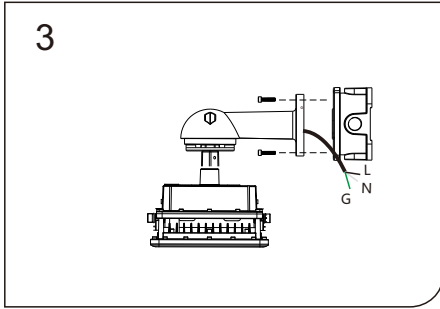
Wall Mounting to junction box



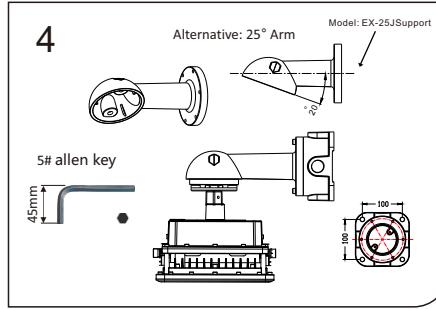
1. Tighten part 2 and assembly 1, and fix the M3 screw, install arm to the adaptor, tighten the M10 via 8# allen key.



2. Drill 4x Ø10mm holes Install the junction box to the wall via M10 expanded screw.



3. Contact the AC wire to power system, connect black cable to L, connect white cable to N, connect green cable to grounding.



4. Tighten 6 x screws between arm and junction box, turn

Accessories



● Model: Ex-Junction01
Name: Junction Box
Material: Aircraft Aluminum A383



● Model: EX-Hook
Name: Installation Hook
Material: Aircraft Aluminum A383



● Model: Ex-Conduit01
Name: Metal Conduit
Material: Stainless Steel and Aluminum



● Model: EX-WPipe
Name: Winding Swing Pipe
Material: Iron with Power Coating



● Model: EX-SPipe
Name: Winding Swing Pipe
Material: Iron with Power Coating



● Model: Ex-D01
Name: Pendant Direction Adapter
Material: Aircraft Aluminum A383



● Model: EX-MArm
Name: Surface Mounting Arm
Material: Aircraft Aluminum A383



● Model: EX-25PSupport
Name: 25 Degree Pole Support
Material: Aircraft Aluminum A383



● Model: EX-90PSupport
Name: 90 Degree Pole Support
Material: Aircraft Aluminum A383



● Model: Ex-90JSupport
Name: 90° Arm to Junction box
Material: Aircraft Aluminum A383



● Model: Ex-25JSupport
Name: 25° Arm to Junction box
Material: Aircraft Aluminum A383



● Model: Ex-DArm
Name: Direct Mounting Arm
Material: Aircraft Aluminum A383